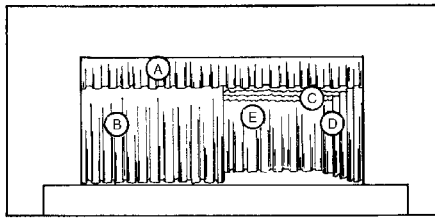
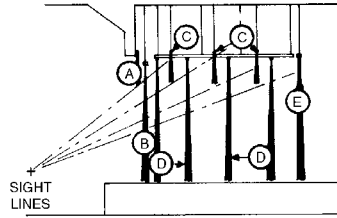




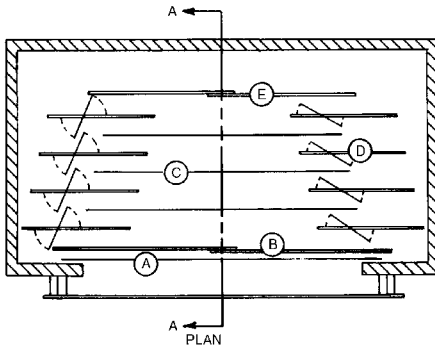
# TYPICAL STAGE TREATMENTS



ELEVATION



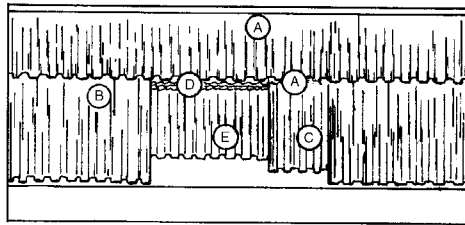
SECTION A-A



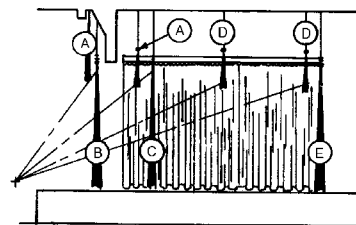
PLAN

## LEGEND

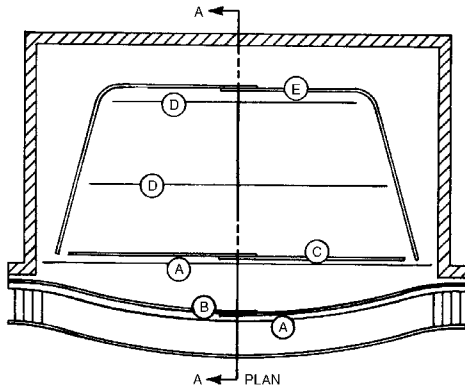
- A. Valance (1 1/4" or 1 1/2" pipe)
- B. Front Curtain Track (Model 170 for up to 40'; Model 280 for over 40')
- C. Ceiling Borders (1 1/4" or 1 1/2" pipe)
- D. Side Leg Tracks-with Pivot Arms (Same as B with appropriate Rotodrapers)
- E. Rear Curtain Track (Same as B)



ELEVATION



SECTION A-A



PLAN

## LEGEND

- A. Valance (1 1/4" or 1 1/2" pipe)
- B. Front Curtain Track (Model 500)
- C. Concert Curtain Track (Model 17 for up to 40'; Model 280 for over 40')
- D. Ceiling Borders (1 1/4" or 1 1/2" pipe)
- E. Cyclorama Track (Model 142)